

LEGEND

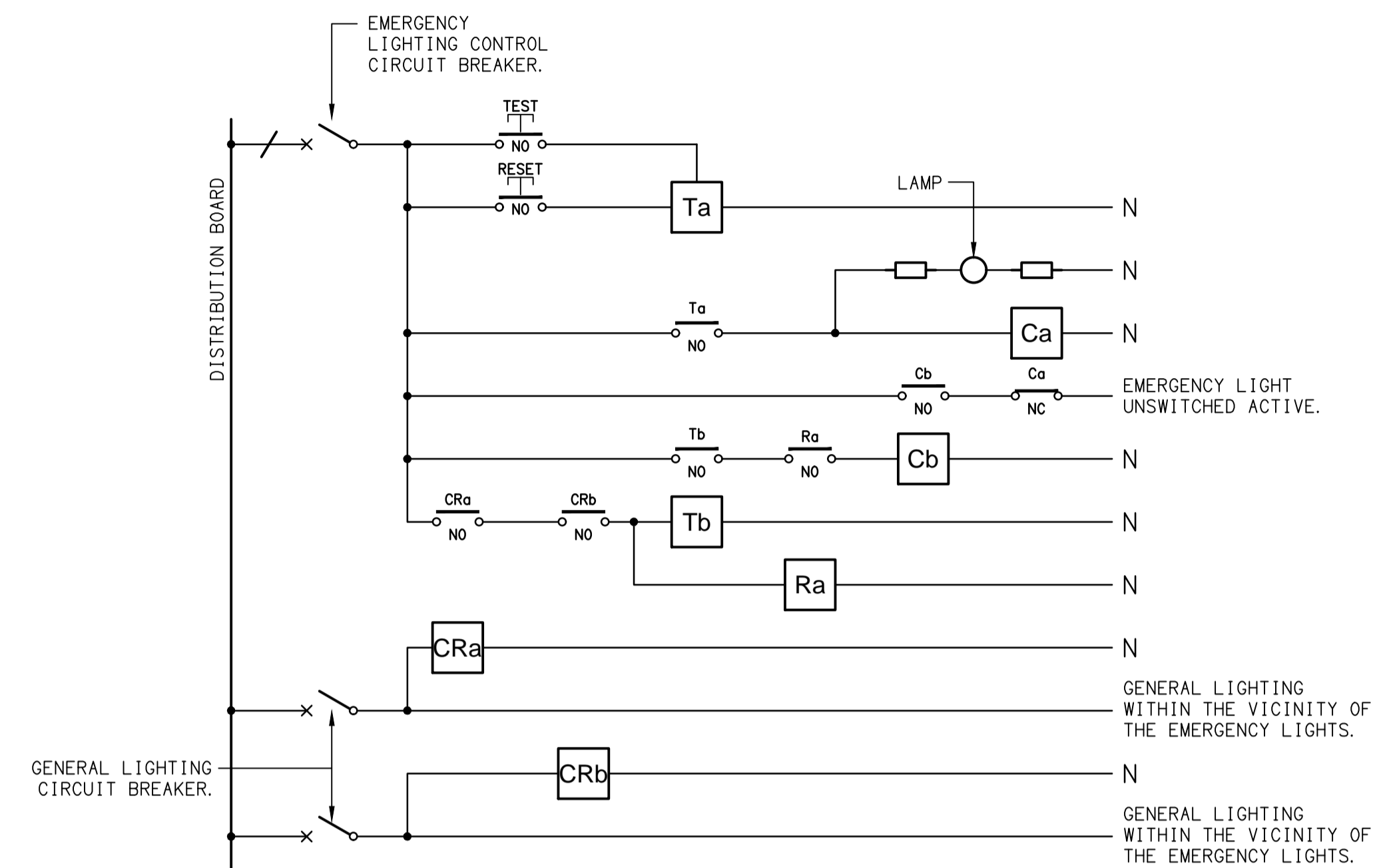
- ELECTRICAL SERVICES SWITCHBOARD.
- SWITCHBOARD / CONTROL PANEL NOT PROVIDED AS PART OF THE ELECTRICAL SUBCONTRACT.
- SINGLE POWER OUTLET.
- DOUBLE POWER OUTLET.
- GAMING / TAB POWER OUTLET BY GAMING ELECTRICIAN.
- SIGNAGE CONNECTION.
- SINGLE PHASE ISOLATOR.
- THREE PHASE ISOLATOR.
- GAMING JUNCTION BOX.
- CONDUIT ROUTE.
- LIGHTING CONTROL SWITCHPANEL, TYPE x.
- ONE-WAY LIGHT SWITCH.
- TWO-WAY LIGHT SWITCH.
- CIRCUIT LINE.
- SWITCH LINE.
- POWER CIRCUIT DESIGNATION. DENOTES DB AND CIRCUIT.
- LIGHTING CONTROL CHANNEL REFERENCE.
- ELECTRICAL EQUIPMENT AS NOTED.
- REFER TO DETAIL NOTED FOR THE AREA SHOWN HATCHED. ADDITIONAL OUTLETS & FITTINGS MAY BE SHOWN ON DETAIL.
- Sx: LED STRIP LIGHT, TYPE AS NOTED.
- E1: GENERAL RECESSED LED EMERGENCY LIGHT, WHITE.
- E2: GENERAL RECESSED LED EMERGENCY LIGHT, BLACK.
- EX: EMERGENCY LED EXIT LIGHT, WHITE UNLESS NOTED AS BLACK (BK).
- PD01: DECORATIVE SUSPENDED PENDANT.
- PD02: DECORATIVE SUSPENDED PENDANT.
- PD03: 6-LAMP DECORATIVE SUSPENDED PENDANT.
- PD04: 8-LAMP DECORATIVE SUSPENDED PENDANT.
- PD05: 6-LAMP DECORATIVE SUSPENDED PENDANT.
- PD06: 3-LAMP DECORATIVE SUSPENDED PENDANT.
- PD07: DECORATIVE SUSPENDED PENDANT.
- PD08: 3-LAMP DECORATIVE SUSPENDED PENDANT.
- PD09: 2-LAMP DECORATIVE SUSPENDED PENDANT.
- PD10: DECORATIVE SUSPENDED PENDANT.
- PD11: DECORATIVE SUSPENDED PENDANT.
- TL01: SUSPENDED LIGHTING TRACK C/W LIGHTS AS INDICATED.
- WL01: WALL LIGHT, BRASS.
- WL02: WALL LIGHT, BRASS.
- WL03: NOT USED.

LEGEND

- WL04: WALL LIGHT, BRASS.
- WL05: WALL LIGHT, BLACK.
- WL06: WALL LIGHT, BLACK.
- WL07: WALL LIGHT, BRONZE.
- WL08: WALL LIGHT, BRASS.
- WL09: EXISTING WALL LIGHT TO REMAIN.
- SL01: SURFACE MOUNTED DOWNLIGHT, WHITE.
- SL02: SURFACE MOUNTED DOWNLIGHT, BRONZE.
- RD01: RECESSED DOWNLIGHT, WHITE.
- RD02: RECESSED DOWNLIGHT, BLACK.
- RD03: RECESSED ADJUSTABLE DOWNLIGHT, WHITE.
- RD04: RECESSED ADJUSTABLE DOWNLIGHT, WHITE.
- RD05: RECESSED DOWNLIGHT, WHITE.
- RD06: EXISTING AMENITY RECESSED DOWNLIGHT TO REMAIN.
- RD07: EXISTING EXTERNAL RECESSED DOWNLIGHT TO REMAIN.
- FS01: FESTOON LIGHTING FIXED TO STAINLESS STEEL SUPPORT, BLACK.
- GL01: GARDEN SPIKE LIGHT, BLACK.
- HR01: WALL MOUNTED HEATER, BLACK.
- HC1: HEATER CONTROLLER.
- F1: CEILING FAN, BLACK.
- FC1: CEILING FAN CONTROLLER.

EQUIPMENT:

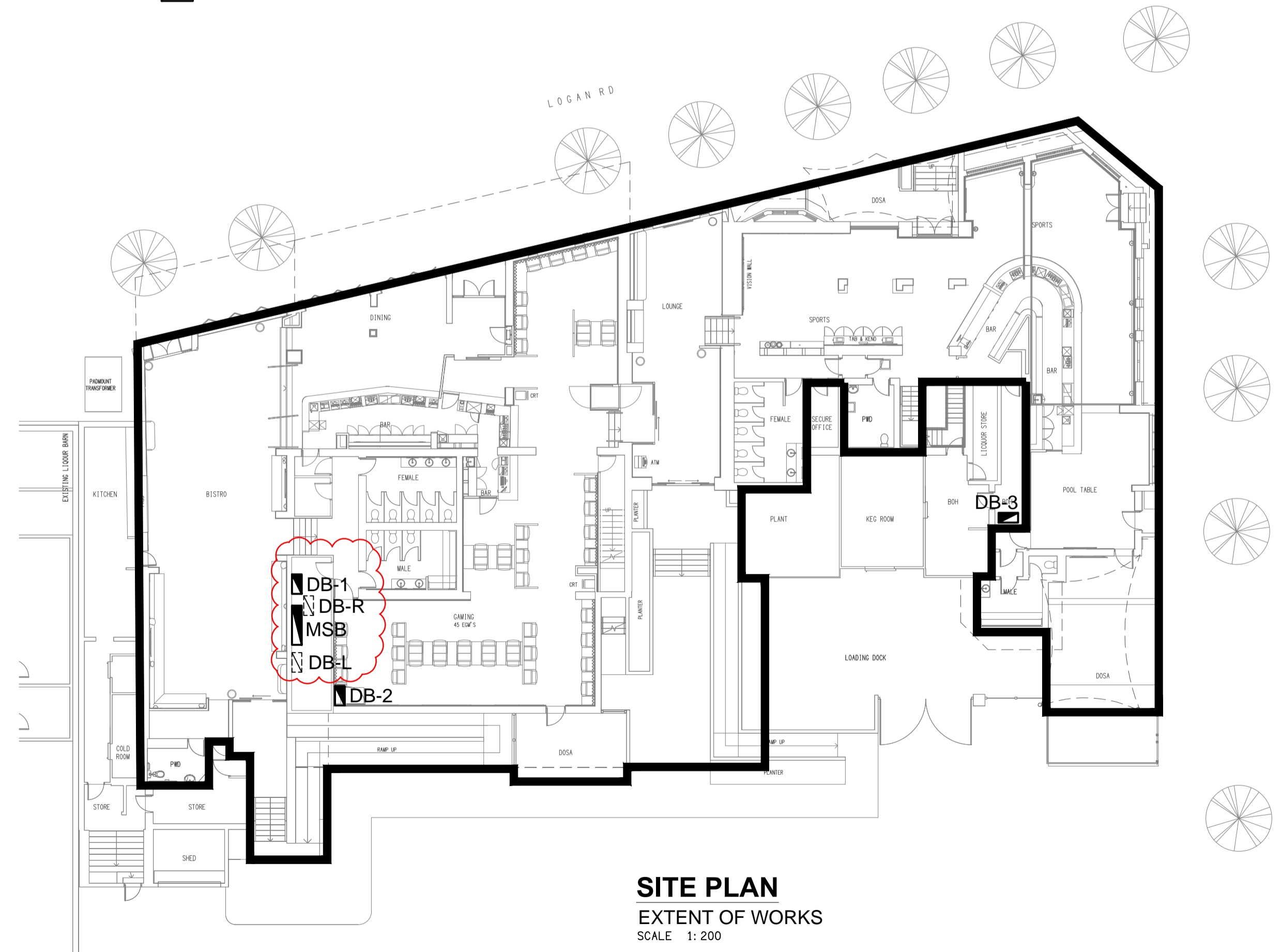
- TEST - TEST PUSH BUTTON MOUNTED ON THE DISTRIBUTION BOARD ESCUTCHEON.
- RESET - RESET PUSH BUTTON MOUNTED ON THE DISTRIBUTION BOARD ESCUTCHEON.
- LAMP - AMBER TEST INDICATING LAMP MOUNTED ON THE DISTRIBUTION BOARD ESCUTCHEON.
- Ta - ADJUSTABLE 0-3 HOUR TIMED RELAY.
- Tb - 15 MINUTE RUN-ON TIMER TO OPERATE UPON THE RETURN OF MAINS POWER.
- Cx - CONTACTOR x.
- CRx - CONTROL RELAY x.
- Rx - RELAY x.



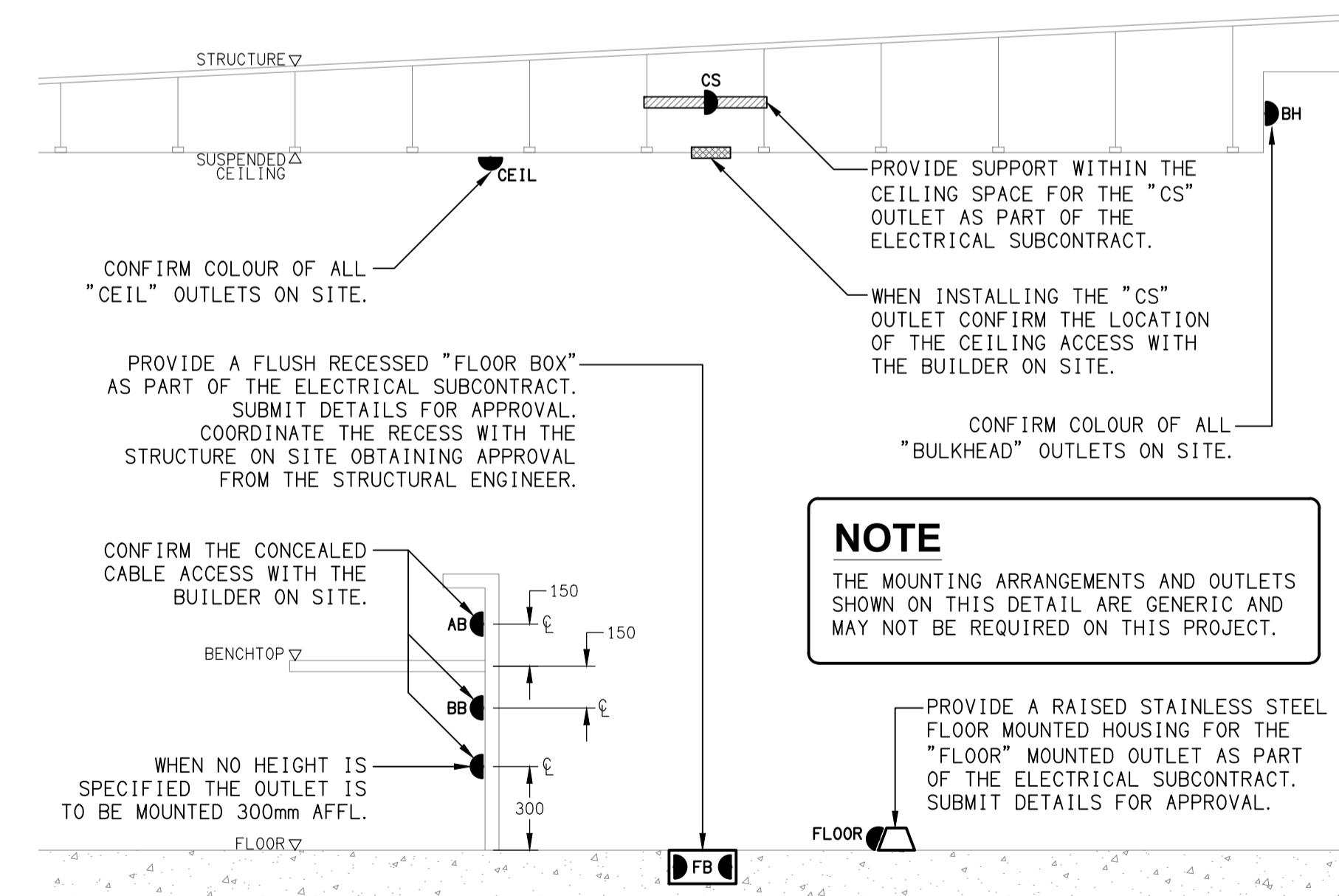
NOTES

1. THE EMERGENCY LIGHT UNSWITCHED ACTIVE / GENERAL LIGHTING SWITCHED ACTIVE CIRCUIT ARRANGEMENT AND CONTROL IS TYPICAL FOR ALL CIRCUITS SUPPLYING EMERGENCY LIGHTS.
2. PROVIDE ADDITIONAL CONTROL RELAYS (CRx) CONFIGURED AS PER CRa AND CRb FOR ALL ADDITIONAL LIGHTING CIRCUITS THAT SUPPLY LIGHTS IN THE VICINITY OF THE EMERGENCY LIGHTS.

**SCHEMATIC
EMERGENCY LIGHTING
NOT TO SCALE**



SITE PLAN
EXTENT OF WORKS
SCALE 1:200



DETAIL
TYPICAL OUTLET MOUNTINGS
NOT TO SCALE

NOTE
THE MOUNTING ARRANGEMENTS AND OUTLETS SHOWN ON THIS DETAIL ARE GENERIC AND MAY NOT BE REQUIRED ON THIS PROJECT.